

多功能拉篮

MULTIFUNCTIONAL BASKET

椭圆钢高深拉篮

Oval steel deep baskets

椭圆钢（6层）连动篮

Elliptic Steel (6 Layers) Continuous Basket

椭圆钢小怪物转角篮

Elliptical steel small monster corner basket

椭圆钢双层飞碟

Elliptic steel double-deck flying saucer

椭圆钢（2层）双层全拉出转角篮

Double-deck full pull-out corner basket

升降机

Lift

生活的色彩与个性全在于自己的理解，
每一天都恣意在生活的您，塑造在自己的空间里，
将生活的感动化为细致的品味，慢慢鉴赏。

The colour and characteristic of life depends on
your own understanding.
Every day in your life, willfully shape in their
own space. Will life moved into a delicate taste,
slowly appreciate.



椭圆钢高深拉篮 Oval steel deep baskets

🕒 防腐性可以达到 \geq 承重量达到
120 个小时以上 **30** 公斤

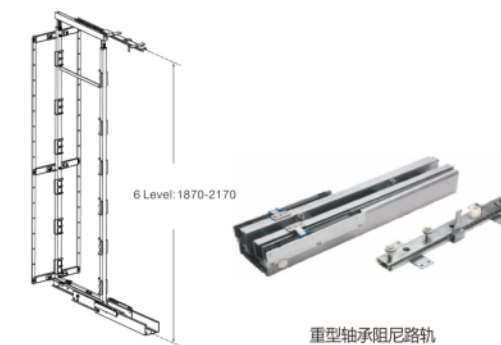
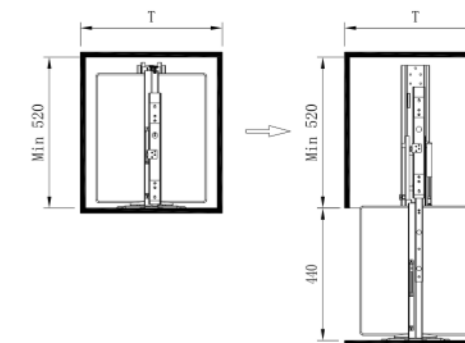
细腻质感，质朴柔美。体验精致的细节，
这是生活的韵味，体验品质与工艺，
这是技术与典雅艺术的结合。

Abandoning the tedious and luxurious, and combining
the excellent elements of different styles, Oriented by
comfort function, it emphasizes returning to nature.
Return to nature, make the whole kitchen more relaxed
and comfortable



型号 ITEM.NO.	材质 MATERIAL QUALITY	规格(长×宽×高) DIMENSION(W×D×H)
椭圆钢高深拉篮	椭圆钢 Elliptical steel	405x530x1850mm
柜体外宽(mm×mm) CABINET WIDTH(mm×mm)	适合柜内高度(mm) CABINET WIDTH(mm×mm)	柜体 CABINET BODY
450mm	1870≥2200mm	450

型号 ITEM.NO.	材质 MATERIAL QUALITY	规格(长×宽×高) DIMENSION(W×D×H)
椭圆钢高深拉篮	椭圆钢 Elliptical steel	555x530x1850mm
柜体外宽(mm×mm) CABINET WIDTH(mm×mm)	适合柜内高度(mm) CABINET WIDTH(mm×mm)	柜体 CABINET BODY
600mm	1870≥2200mm	600



多功能拉篮 MULTIFUNCTIONAL BASKET

椭圆钢（6层）连动篮 Elliptic Steel (6 Layers) Continuous Basket

🕒 防腐性可以达到 120 个小时以上
🏋️ 承重量达到 30 公斤

表面处理采用先进德国纳米喷涂技术
Advanced German nano-spraying technology for surface treatment

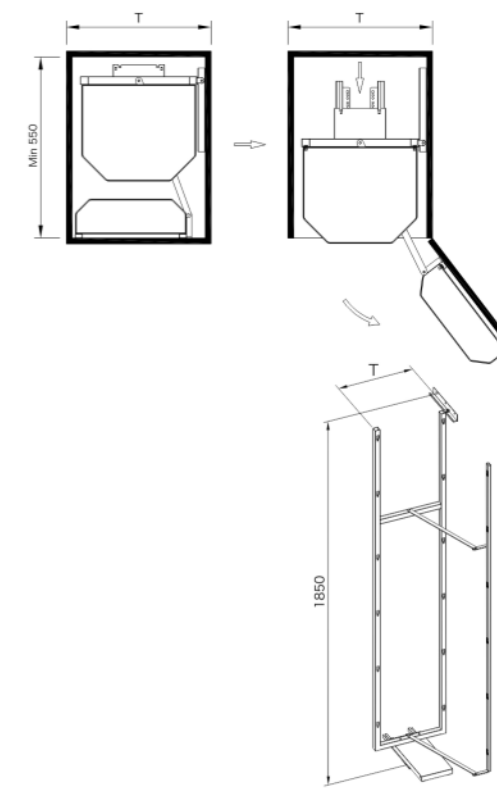
型号 ITEM.NO.	材质 MATERIAL QUALITY	规格(长×宽×高) DIMENSION (W×D×H)
椭圆钢（6层）连动篮	椭圆钢 Elliptical steel	405x530x1850mm

柜体外宽(mm×mm) CABINET WIDTH(mm×mm)	适合柜内高度(mm) CABINET WIDTH(mm×mm)	柜体 CABINET BODY
450mm	1870≥2200mm	450

型号 ITEM.NO.	材质 MATERIAL QUALITY	规格(长×宽×高) DIMENSION (W×D×H)
椭圆钢（6层）连动篮	椭圆钢 Elliptical steel	555x530x1850mm

柜体外宽(mm×mm) CABINET WIDTH(mm×mm)	适合柜内高度(mm) CABINET WIDTH(mm×mm)	柜体 CABINET BODY
600mm	1870≥2200mm	600

主架左右通用
Frame: Universal (left and right)



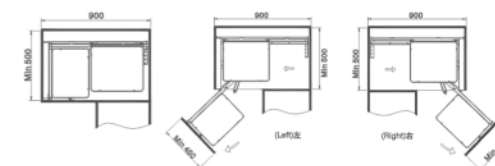
椭圆钢小怪物转角拉篮

Elliptical steel small monster corner basket

🕒 防腐性可以达到 120 个小时以上
 🏋️ 承重量达到 30 公斤

唯美的构图，集实用、时尚、美观为一体。通过一块颗力所能及的螺丝，即可轻松将滑轨与篮框连接，简便如您所需。

Aesthetic composition, set practical, fashionable, beautiful as one. The sliding track can be easily connected with the basket through a screw within one's power. Simple as you need.



型号 ITEM.NO.	材质 MATERIAL QUALITY	规格(长×宽×高) DIMENSION(W×D×H)	柜体外宽 CABINET WIDTH(mm-mm)	适合柜内高度 CABINET WIDTH(mm-mm)	门板规格 CABINET BODY
椭圆钢小怪物转角拉篮(L/R)	椭圆钢 Elliptical steel	850x490x520mm	900mm	900≥1000mm	450mm

主架分左右
Frame: Left or right

多功能拉篮 MULTIFUNCTIONAL BASKET

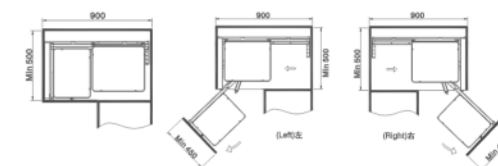
椭圆钢小怪物转角拉篮

Elliptical steel small monster corner basket

🕒 防腐性可以达到 120 个小时以上 🏋️ 承重量达到 30 公斤

表面处理采用先进德国纳米喷涂技术
防腐性可以达到120个小时以上

Advanced German nano-spraying technology
for surface treatment Antisepticity can reach
120 hours or more.



椭圆钢双层飞碟

Elliptic steel double-deck flying saucer

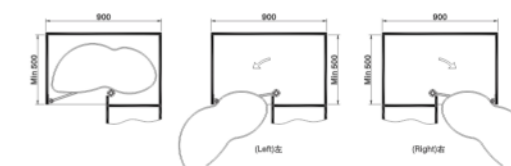
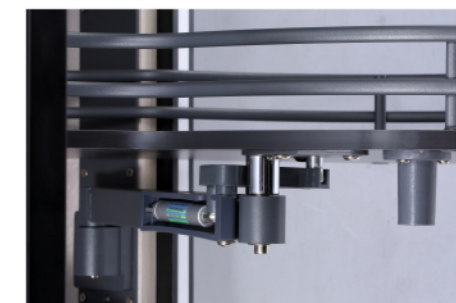
🕒 防腐性可以达到 120 个小时以上 🏋️ 承重量达到 30 公斤

生活的色彩与个性全在于自己的理解，
 每一天都恣意在生活的您，塑造在自己的空间里，
 将生活的感动化为细致的品味，慢慢鉴赏。

The color and individuality of life lie in one's own understanding.
 Every day you wantonly live in your own space,
 Change the touching of life into delicate taste and appreciate it slowly.



型号 ART.NO.	材质 MATERIAL QUALITY	规格(长×宽×高) DIMENSION(W×D×H)
椭圆钢双层飞碟(L/R)	椭圆钢 Elliptical steel	810X500X(570-710)mm
柜体外宽(mm×mm) CABINET WIDTH(mm·mm)	适合柜内高度(mm) CABINET WIDTH(mm·mm)	门板规格 DOOR PLANK
900mm	900≥1000mm	450mm



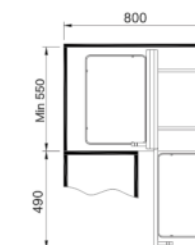
椭圆钢（2层） 双层全拉出转角篮

Double-deck full pull-out corner basket

⌚ 防腐性可以达到 120 个小时以上
⚖️ 承重量达到 30 公斤

经一片慧心雕琢成贴身的宝梳。
用灵巧容纳笨拙，以艺术美化平凡，将执着增色灵魂。

Through a heart carved into a personal treasure comb.
Embrace awkwardness with dexterity, beautify
the ordinary with art, and enhance the soul with persistence.



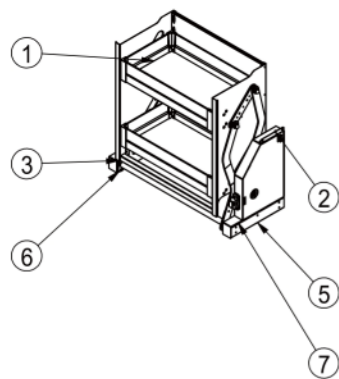
型号 ART.NO.	材质 MATERIAL QUALITY	规格(长×宽×高) DIMENSION(W×D×H)	柜体外宽(mm×mm) CABINET WIDTH(mm×mm)	适合柜内高度(mm) CABINET WIDTH(mm×mm)	门板规格 DOOR PLANK
双层全拉出转角篮	椭圆钢 Elliptical steel	680×510×605mm	900mm	900≥1000mm	450mm

升降机 Lift

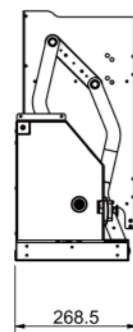
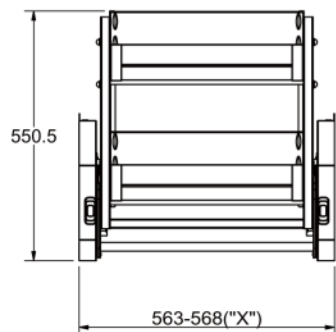
① 防腐性可以达到 ② 承重量达到
120 个小时以上 30 公斤

黑白色彩是一种经典的搭配。
设计简约、落落大方，非常有艺术感。

Black and white color is a classic match.
The design is simple, generous, and very artistic.



序号	零件名称	数量
1	篮体框架组件	1
2	右侧摆臂安装组件	1
3	左侧摆臂安装组件	1
4	左侧固定座	1
5	右侧固定板	1
6	支撑杆组件	1
7	十字槽盘头螺钉	8



型号 ART.NO.	材质 MATERIAL QUALITY	规格 DIMENSION	柜体外宽(mm*mm) CABINET WIDTH(mm*mm)
升降机Lift-060	椭圆钢 Elliptical steel	563-568mm	600mm
升降机Lift-070	椭圆钢 Elliptical steel	663-668mm	700mm
升降机Lift-075	椭圆钢 Elliptical steel	713-718mm	750mm
升降机Lift-080	椭圆钢 Elliptical steel	763-768mm	800mm
升降机Lift-090	椭圆钢 Elliptical steel	963-868mm	900mm